

The Prattley Swing Gate AutoDraft is a powerful tool allowing a single operator to control weighing and drafting. The Prattley Swing Gate AutoDraft coordinates with an external indicator/recorder and loadbars to produce a seamless package.

The rear gates have vertical rollers which allow the gates to roll around sheep as they close and allow the following sheep to pull back without getting caught.

Designed to eliminate the need to have left or right hand operation.

KEY FEATURES INCLUDE:

- Quiet pneumatic operation promotes good stock flow
- Auto weigh approx. 600 sheep per hour
- Conventional drafting with remote
- EID compatible
- Improved weighing accuracy with the crate design
- Drafting by weight
- Drafting by weight gain
- Drafting by EID tag database
- Drafting by sight (remote manual drafting)
- Selective weighing/drafting
- Selective bypassing of weighing cycle
- Weigh-then-HOLD to allow inspection before drafting
- Remote override of indicators draft range
- Versatile design that works in multiple yards

OPTIONS

Stationary or mobile available

* Indicator and load bars not included



S04150 - 3-Way Swing Gate AutoDraft - Stationary

S04250 - 5-Way Swing Gate AutoDraft - Stationary
(*not pictured)

Compressor - Minimum

Motor Size 2HP
Tank Capacity 24 Litres

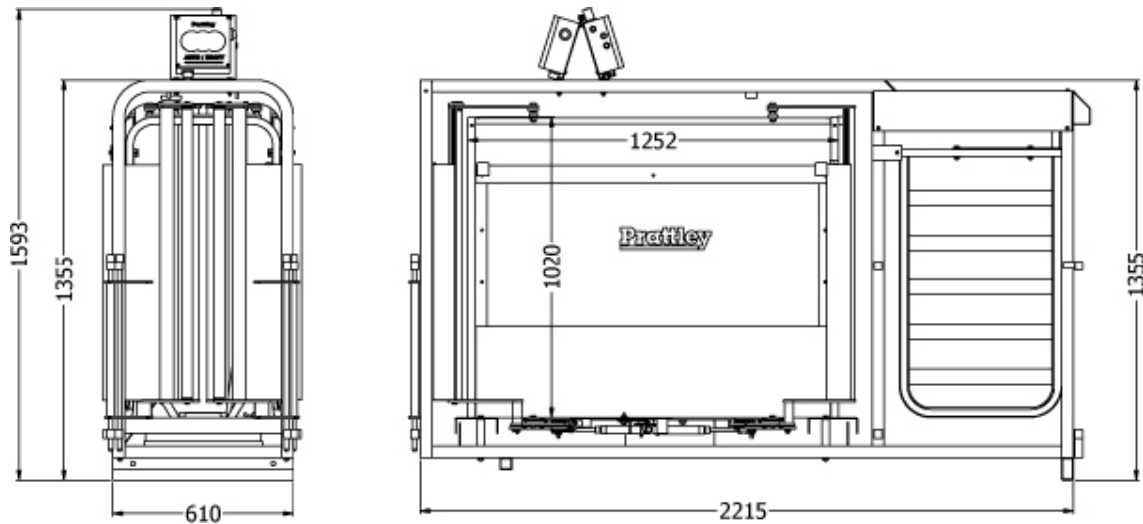


S04100 - 3-Way Swing Gate AutoDraft - Mobile

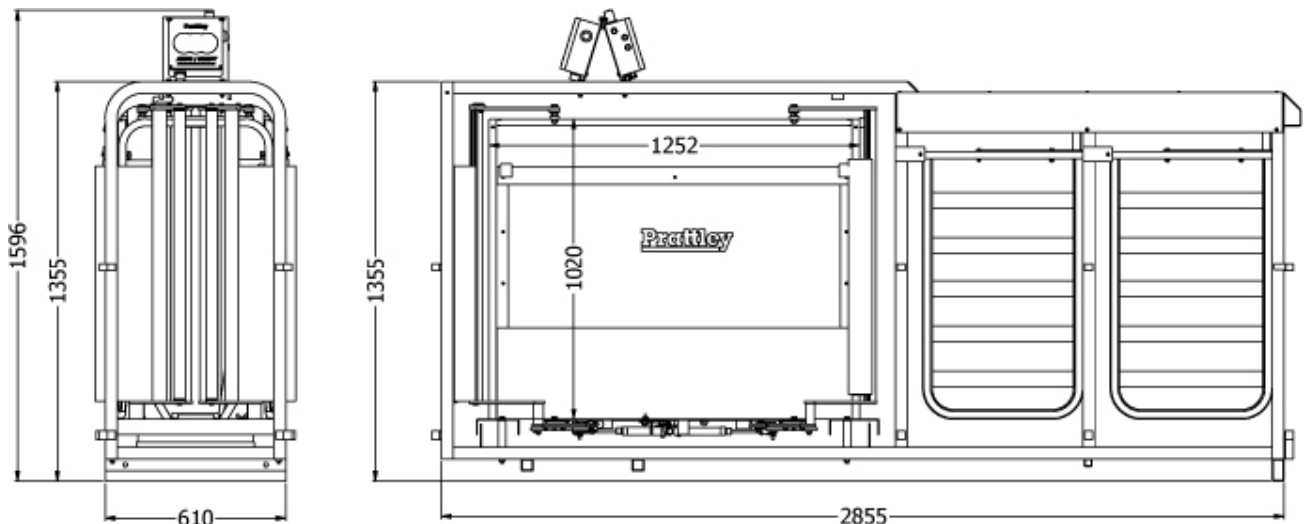


S04200 - 5-Way Swing Gate AutoDraft - Mobile

3-Way Swing Gate AutoDraft - Dimensions



5-Way Swing Gate AutoDraft - Dimensions



Drafting Options

Full Auto Drafting Mode

- Indicator is programmed for 3 to 5 way drafting.
- Sheep enter weigh crate
- Back gates automatically shut upon weight on platform of drafter
- Indicator will select which gate to open once sheep has exited crate.
- Back gate opens automatically again for next sheep.

* While in this mode you can override drafter with remote.

Manual Drafting By Remote

- Drafter set on Manual mode
- Hold button down for draft direction on remote

Auto Drafting By Remote

- Indicator is programmed for 3 to 5 way drafting.
- Open back gate with remote
- Shut back gate with remote once sheep has entered crate
- Indicator will select which gate to open once sheep has exited crate
- Use remote to open back gate again.

* While in this mode you can override drafter with remote, by shutting back gate with hold button you can then override direction.

Prattley

ANIMAL MANAGEMENT SYSTEMS

PRATTLY INDUSTRIES LTD

2B King Street, Temuka 7920, NZ

P O Box 109, Temuka, 7948, NZ

Phone +64 3 615 9545

Toll Free 0800 45 00 00

Email prattley@prattley.co.nz

Website www.prattley.co.nz