

The Prattley Electric AutoDrafter is operated by electric motors powered by a 12volt battery, and will operate on a fully charged battery for a full day. This design eliminates the need to have left and right handed crates. The rear gates have vertical rollers which allow the gates to roll around the sheep as they close or allow the following sheep to pull back without getting caught.

Drafting Options

Full Auto Drafting Mode

- Indicator is programmed for 2-Way or 3-Way drafting.
- Sheep enter weigh crate
- Back gates automatically shut upon weight on platform of drafter
- Indicator will select which gate to open once sheep has exited crate.
- Back gate opens automatically again for next sheep.

**While in this mode you can override drafter with remote.*

Auto Drafting By Remote

- Indicator is programmed for 2-Way or 3-Way drafting.
- Open back gate with remote
- Shut back gate with remote once sheep has entered crate
- Indicator will select which gate to open once sheep has exited crate
- Use remote to open back gate again.

** While in this mode you can override drafter with remote, by shutting back gate with hold button you can then override direction.*

* Indicator and load bars not included

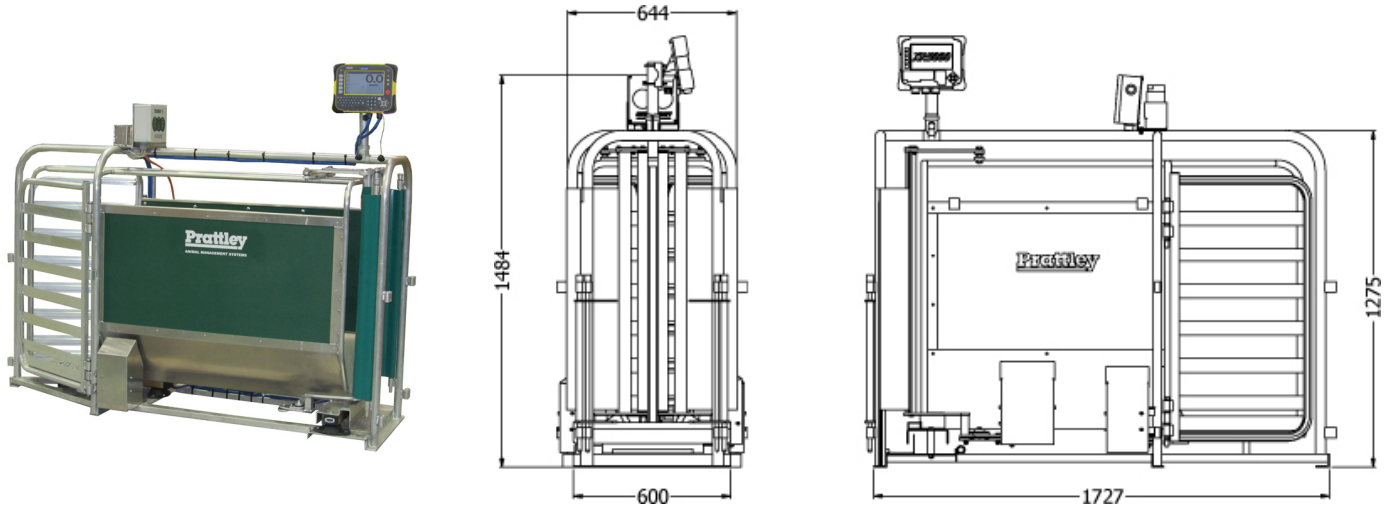


S04000 - 2-Way Electric AutoDrafter

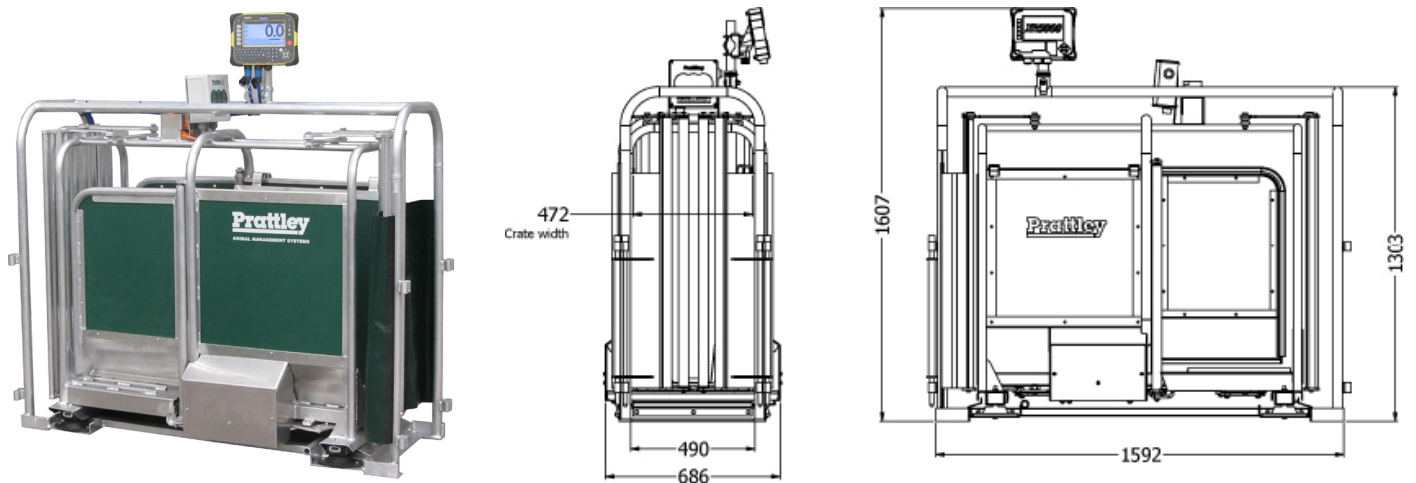


S04300 - 3-Way Electric AutoDrafter

2-Way Electric AutoDrafter - Dimensions



3-Way Electric AutoDrafter - Dimensions



Accessories to create a Mobile Electric AutoDrafter Unit

S04320
Wheel kit



S04321
Ramp (set)



* For wheeling unit on to Trailer Deck



Prattley

ANIMAL MANAGEMENT SYSTEMS

PRATTLY INDUSTRIES LTD

2B King Street, Temuka 7920, NZ

P O Box 109, Temuka, 7948, NZ

Phone +64 3 615 9545

Toll Free 0800 45 00 00

Email prattley@prattley.co.nz

Website www.prattley.co.nz