

PRATTLY INDUSTRIES LTD
 PO Box 109 Telephone
 177 King Street (64) 3 615 9545
 TEMUKA Facsimile
 NEW ZEALAND (64) 3 615 9546
 NZ FREEPHONE 0800 45 00 00
 email: prattley@prattley.co.nz

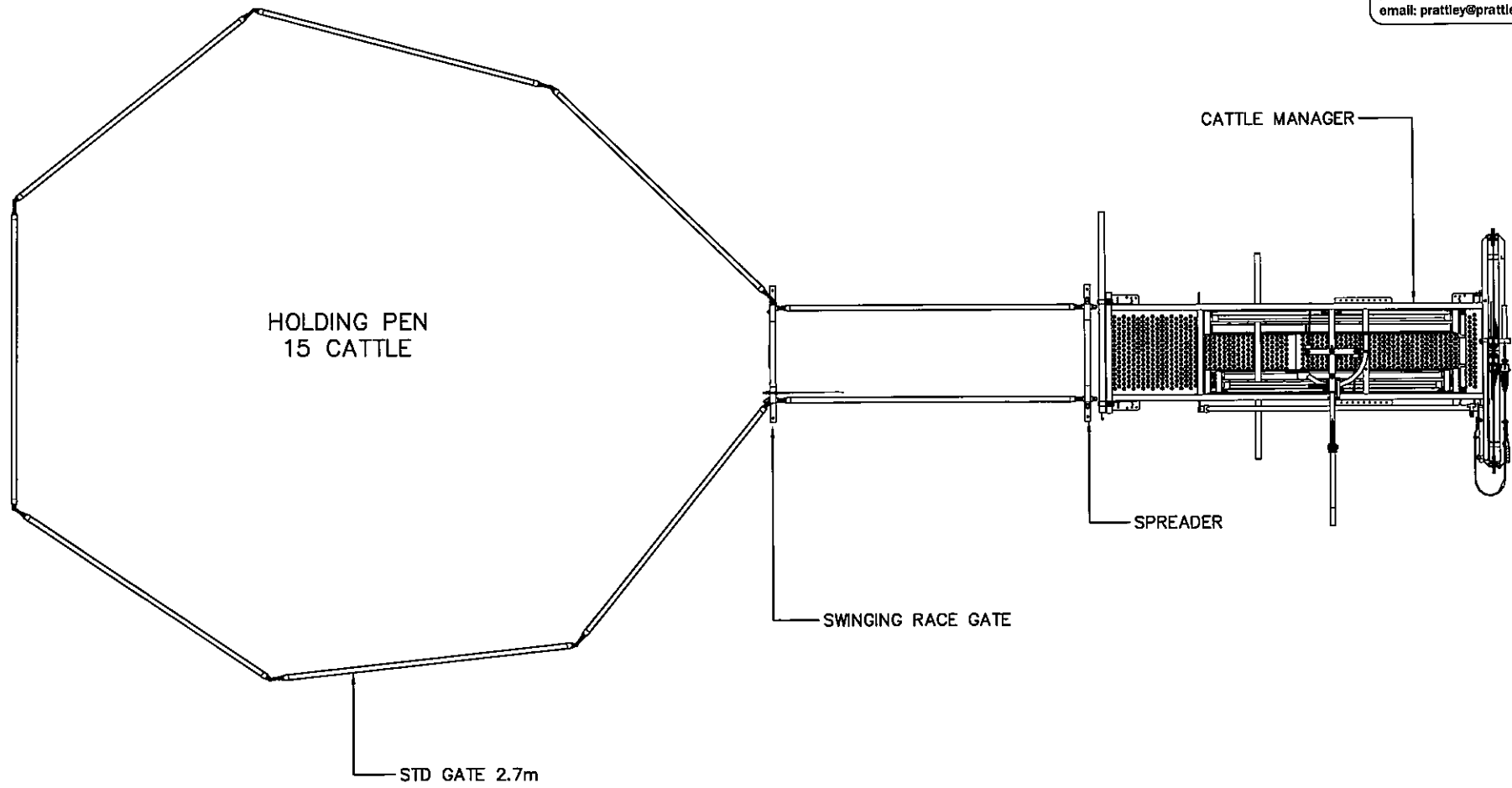
© Copyright.

Drawn by STERIC	Date drawn 18-09-09	Prattley INDUSTRIES LIMITED
--------------------	------------------------	---------------------------------------

TITLE CATTLE MANAGER AND CATTLE YARD LAYOUT

Dwg No. 0918JO-1 R A

PRATTLEY INDUSTRIES LTD
 PO Box 109 Telephone
 177 King Street (64) 3 615 9545
 TEMUKA Facsimile
 NEW ZEALAND (64) 3 615 9546
 NZ FREEPHONE 0800 45 00 00
 email: prattley@prattley.co.nz



1	ALLOY GATE 2.7m (C15000)	-	9
2	ALLOY SWINGING RACE GATE (C15200R)	-	1
3	ALLOY SPREADER (C15400)	-	1
4	CATTLE MANAGER (C48400)	-	1
ITEM	DESCRIPTION	LG	QTY

PART LIST		
Drawn by STERIC	Date drawn 18-09-09	Prattley INDUSTRIES LIMITED®

© Copyright.

TITLE	PLAN LAYOUT OF CATTLE MANAGER AND CATTLE YARD	Dwg No. 0918JO-2	R A
-------	---	------------------	-----